

HOW TO ORDER:

EXAMPLE: 257 - 005 H 14S - 5 P W

PRODUCT SERIES 257 - 005

BASIC NO H

H = HERMETIC
OMIT FOR STD, SUBSTITUTE DASH

SHELL SIZE, TABLE I 14S - 5

INSERT ARRANGEMENT DASH NO. P

CONTACT STYLE : W

P = PIN
S = SOCKET (NON HERMETIC ONLY)

ALTERNATE INSERT POSITION, OMIT FOR NORMAL

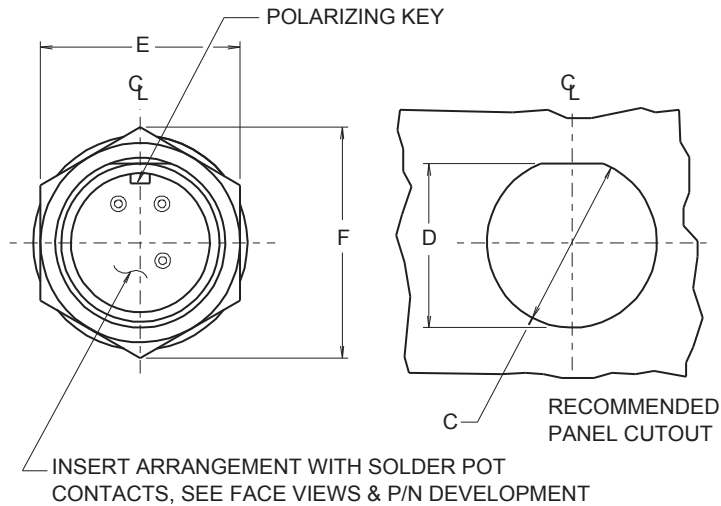
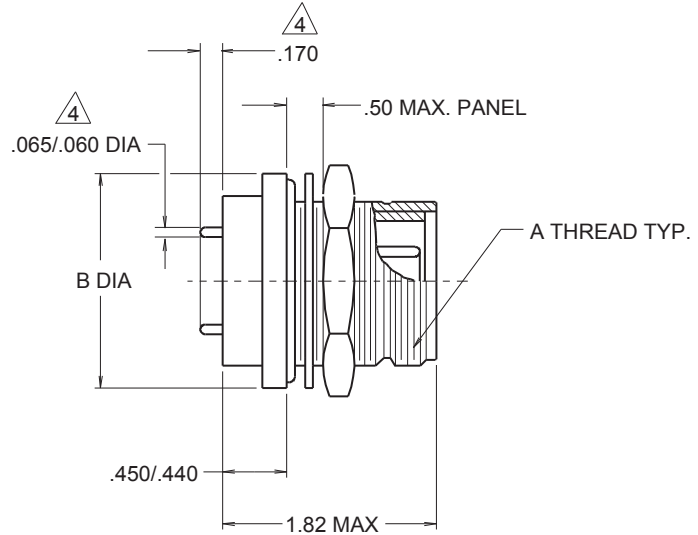


TABLE I: CONNECTOR DIMENSIONS

SHELL SIZE	A THREAD CLASS 2A	B DIA MAX	C DIA +.010 - .000 (+0.3 - 0)	D +.010 - .000 (+0.3 - 0)	E FLATS	F REF
10SL	5/8 -24 UNEF	1.03 (26.2)	.635 (16.1)	.585 (14.9)	.870 (22.1)	1.000 (25.4)
12	3/4 -20 UNEF	1.16 (29.5)	.760 (19.3)	.710 (18.0)	.995 (25.3)	1.125 (28.6)
14S	7/8 -20 UNEF	1.28 (32.5)	.885 (22.5)	.835 (21.2)	1.120 (28.4)	1.250 (31.8)
18	1 1/8 -18 UNEF	1.66 (42.2)	1.135 (28.8)	1.085 (27.6)	1.495 (38.0)	1.730 (43.9)
20	1 1/4 -18 UNEF	1.78 (45.2)	1.260 (32.0)	1.210 (30.7)	1.620 (41.1)	1.870 (47.5)
24	1 1/2 -18 UNEF	2.03 (51.6)	1.510 (38.4)	1.460 (37.1)	1.870 (47.5)	2.165 (55.0)
28	1 3/4 -18 UNEF	2.28 (57.9)	1.760 (44.7)	1.710 (43.4)	2.120 (53.8)	2.448 (62.2)

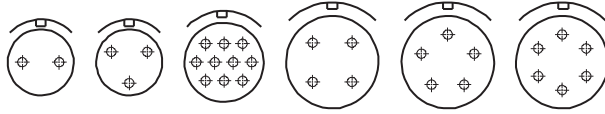
257-005
Stainless Steel Environmental Receptacle
with Printed Circuit Contacts
MIL-DTL-5015 Type



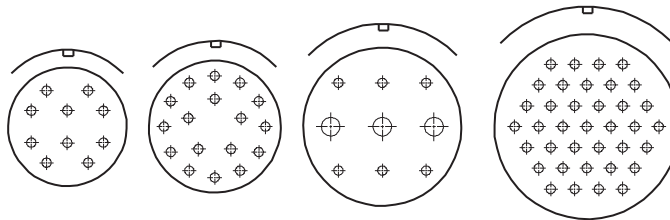
MIL-DTL-5015

INSERT ARRANGEMENTS

FACE VIEW OF PIN INSERT SHOWN



INSERT ARRANGEMENT:	10SL-4	10SL-3	12-10	14S-2	14S-5	14S-6
CONTACT SIZE & QUANTITY:	2 - #16	3 - #16	10 - #20	4 - #16	5 - #16	6 - #16
MS SERVICE RATING:	A	A	INST	INST	INST	INST



INSERT ARRANGEMENT:	18-1	20-29	24-11	28-21
CONTACT SIZE & QUANTITY:	10 - #16	17 - #16	6 - #12, 3 - #8	37 - #16
MS SERVICE RATING:	4A 6 INST	A	A	A

NOTES:

1. ASSEMBLY IDENTIFIED WITH MANUFACTURER'S NAME AND P/N, SPACE PERMITTING.
2. GLENAIR 257-005- CONNECTOR FEATURES :
 - A. SHELL: PASSIVATED STAINLESS STEEL
 - B. INSULATOR, O-RING, GROMMET: NITRILE/NEOPRENE HERMETIC INSULATOR: FULL GLASS
 - C. CONTACTS: GOLD PLATED COPPER ALLOY HERMETIC CONTACTS: ALLOY 52/GOLD PLATE
 - D. CONTACT CURRENT RATING: #20-5 AMPS, #16-10 AMPS, #12-17 AMPS, #8-35 AMPS.
 - E. RATED OPERATING VOLTAGE: SERVICE RATING INST - 250 VDC SERVICE RATING A - 700 V
 - F. DIELECTRIC W/STANDING VOLTAGE (HI-POT): SERVICE RATING INST - 1000 VRMS A - 2000 V
 - G. INSULATION RESISTANCE: 5000 MEGOHMS MINIMUM AT 500 VDC AND +25AC
 - H. TEMPERATURE RANGE: -55AC TO +125AC
3. PERFORMANCE DATA (HERMETIC ONLY):
 - A. CONTACT CURRENT RATING: 20 AMPS MAX
 - B. RATED OPERATING VOLTAGE: 250 VDC
 - C. DIELECTRIC W/STANDING VOLTAGE (HI-POT): 1000 VRMS
 - D. INSULATION RESISTANCE: 5000 MEGOHMS MIN AT 500 VDC & +25AC
- ⚠ EXTENSION AND DIAMETER OF CONTACTS APPLY TO #16 CONTACTS ONLY, FOR OTHER SIZES, CONSULT FACTORY.
5. ELECTRICAL SAFETY LIMITS MUST BE ESTABLISHED BY THE USER
 PEAK VOLTAGES, SWITCHING SURGES, TRANSIENTS, ETC., SHOULD BE USED TO DETERMINE